

S76 Security Shutter

Operated by Outboard motor

APPLICATIONS

Commercial sites requiring medium to high security, for openings up to 72m². Motors can be direct drive, chain drive or inline design and are suitable for applications requiring a full cycle up to 160 times per day. High speed 'rapid roll' shutters making use of a frequency inverter can operate up to 250 cycles per day, with programmable soft start/stop, and rapid yet safe opening and closing. Punched (V76) & Perforated (P76) slats can be incorporated as required for full or partial vision.

CURTAIN SLAT

Single skin 76mm (3") curved steel slat. Wall thickness 0.7mm, 0.9mm, or 1.2mm, depending on overall shutter opening width.

Finish: Galvanised finish as standard. Option to powder coat any RAL / BS colour or to choose from a range of plastic finishes (surcharges apply).

Visible Face:

76mm
9.8kg (0.7mm thickness)
12.5kg (0.9mm thickness)

Weight per m²:

16.7kg (1.2mm thickness)
12000mm

Maximum Width:

72m²

Maximum Area:

72m²

CASING

Galvanised steel casing & end plates as standard. Optional fascia / custom design casings available on request (surcharge applies). N.B. Reveal fix installations are supplied with a fascia as standard. Aluminium box also available (see datasheet 22).

Finish: Galvanised finish as standard. Option to powder coat any RAL / BS colour (surcharge applies).

Guide Height (mm)

2200	305
3650	355
6000	400

Plate Size (mm)

2200	305
3650	355
6000	400

*These sizes apply to standard shutter roll methods only. Reverse rolled curtains will require larger casings than those shown. Plate sizes shown as a guide only and may increase dependent on shutter width. Note: Outboard motors are generally larger than the plate itself - see diagrams.

BOTTOM SLAT

Galvanised steel 'L' or 'T' shaped bottom rail.

GUIDE CHANNELS

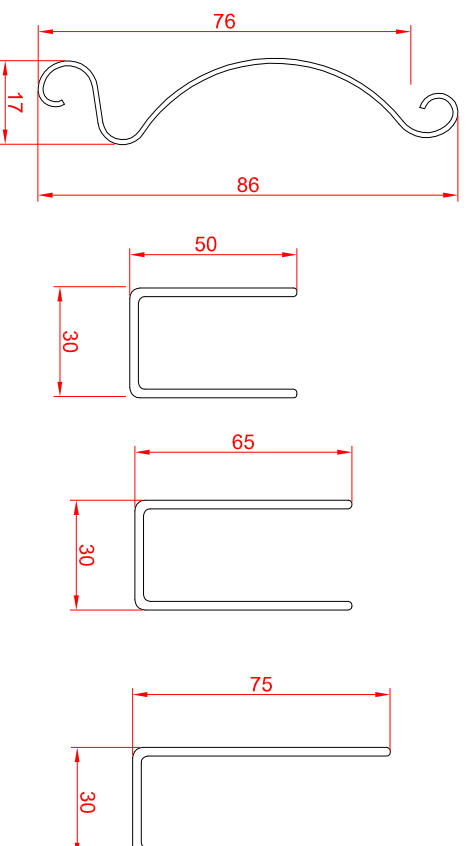
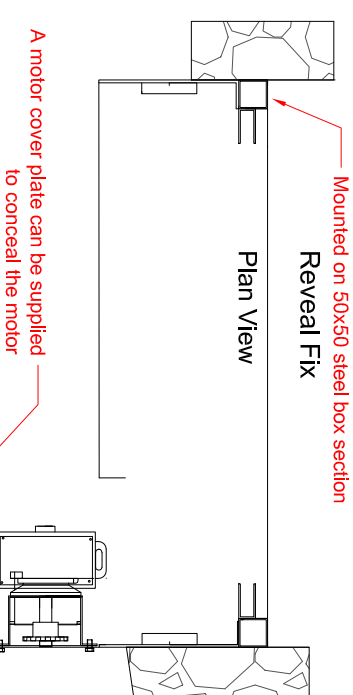
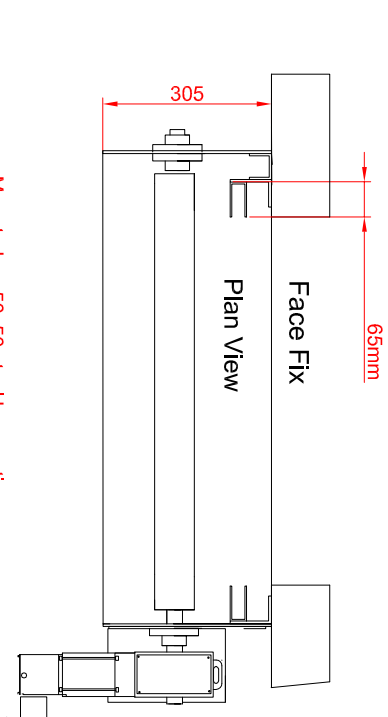
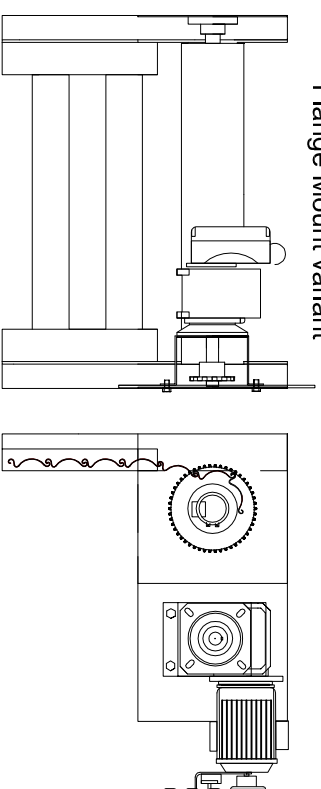
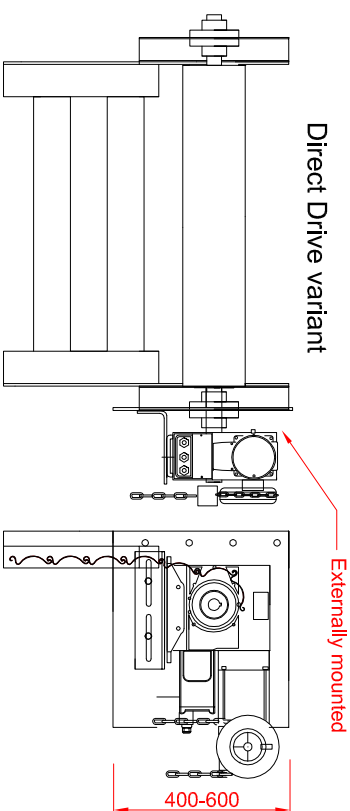
Galvanised steel guide channels. Width varies dependent on application, either 50mm, 65mm, 75mm or 100mm. Windlocking guides available. Guide channels are bolted onto angle or box section, depending on the application.

Finish: Galvanised finish as standard. Option to powder coat any RAL / BS colour (surcharge applies).

OPERATION

Electric: Three phase motors with push button control station as standard. Can be direct drive, inline or chain drive design. All motors incorporate a chain manual override facility as standard. Numerous control option variants such as timed closure, group, remote control or mobile phone activation.

CE Compliant to all applicable directives and regulations.



SHUTTER DESIGN & INSTALLATION

23 Tarvin Road, Chester, CH3 5DU
www.sdininstall.co.uk; enquiry@sdinstall.co.uk